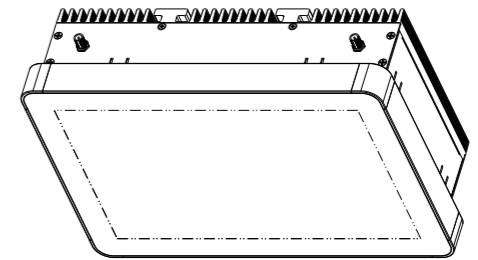
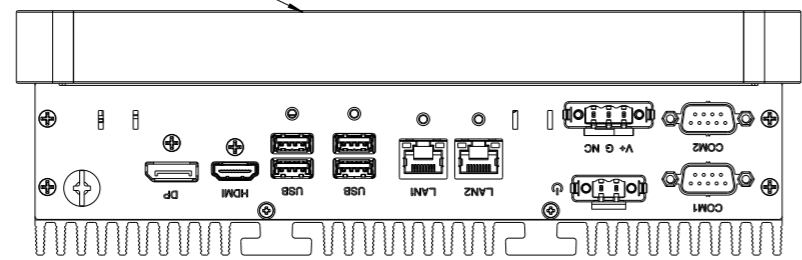
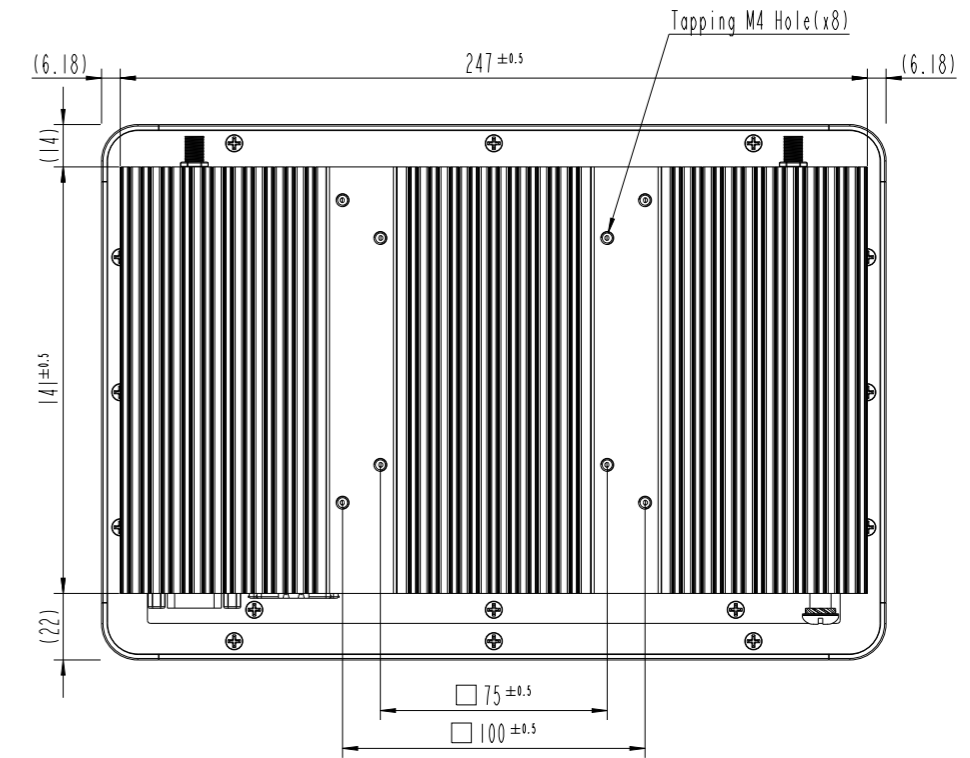
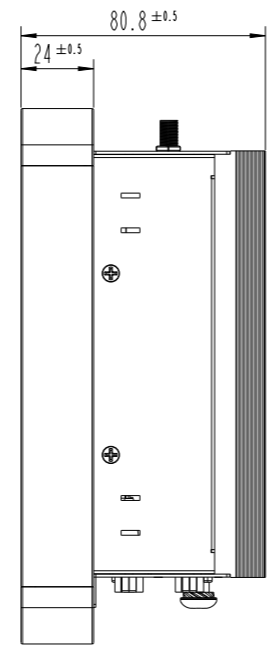
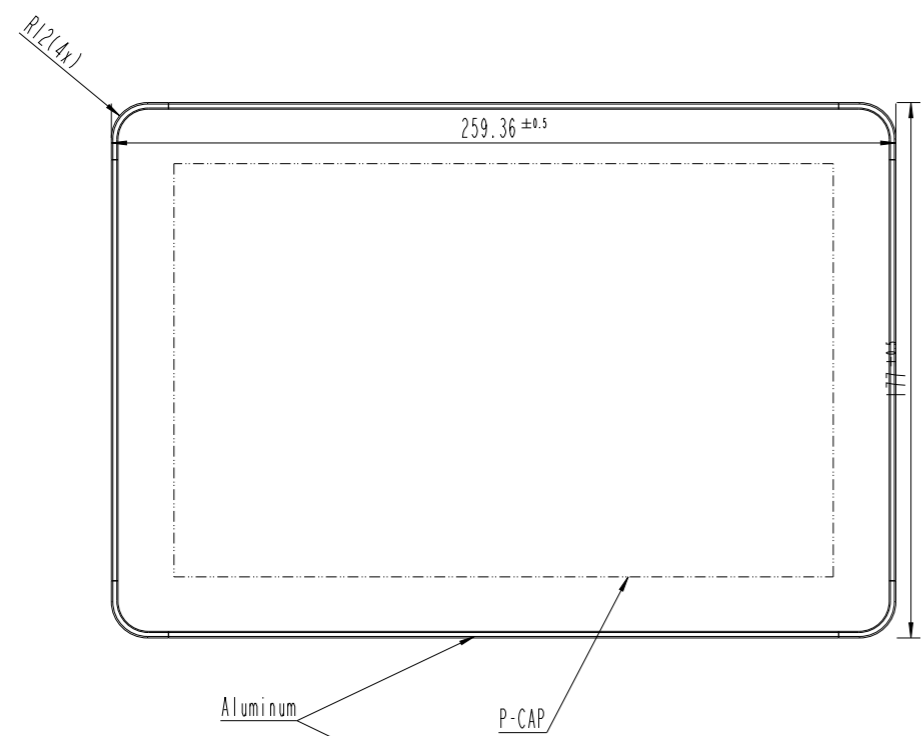
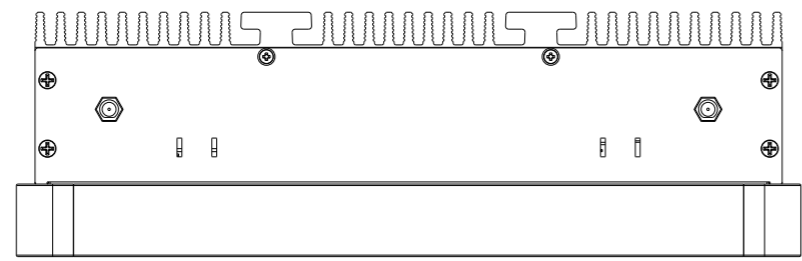


Note : 本零件為綠色環保材料, 禁止使用危害環境之物質

REVISIONS					
REV.	PART NUMBER	DESCRIPTION	DESIGNER	CHECK	DATE
1	-	正式出圖	Eric Lin	-	2024/7/21
2					
3					



比例 1:5

LPC-PI01WHAGAR-3T5LH SERIES								-		259.36 x 177.0 x 80.8 mm			
MODEL NAME								PART NUMBER		REMARK			
UNSPECIFIED TOLERANCE								DESIGNER	Eric Lin 2024/7/21				
								CHECK	-				
0~8	±0.05	±0.1	±0.1	±0.2	±0.2	±0.4	±0.4	APPROVAL	-	PART NUMBER	-		
8~25	±0.08	±0.15	±0.15	±0.3	±0.3	±0.6	±0.6	MATERIAL	-	PART NAME	OUTLINE DIMENSIONS(with MS-98M3)		
25~250	±0.12	±0.2	±0.25	±0.4	±0.5	±0.8	±1.0	COLOR	-	SCALE	2:5		
250~800	±0.25	±0.3	±0.4	±0.6	±0.8	±1.2	±1.5	FINISH	-	UNIT	mm	SHEET	I OF I
800>	±0.5	±0.6	±0.8	±1.0	±1.5	±2.0	±3.0	REV.	01	SIZE	A3		