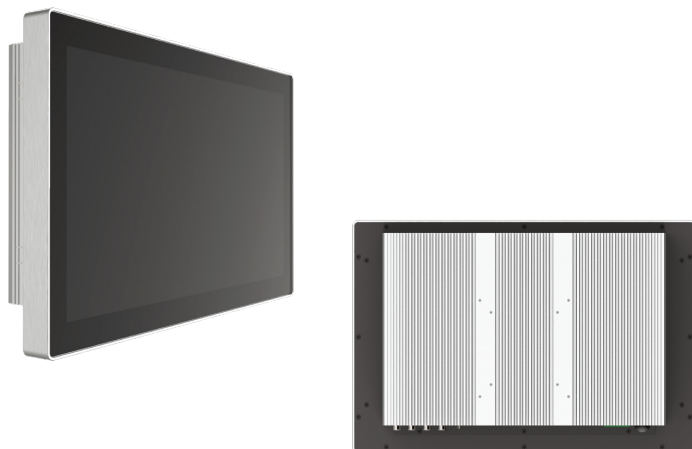


LPC-P156WAG-2AE

15.6" (1920*1080) Bezel-Free P-cap Panel PC, Intel® Elkhart Lake SoC J6412 Processor, AG, IP65 Aluminum Front Bezel, Removable 2.5" HDD Tray, DC 9~36V Wide Power Input



Features

- ▶ Intel® Elkhart Lake SoC J6412 Processor
- ▶ 15.6" P-cap Flat Bezel
- ▶ 1920*1080 Resolution LCD
- ▶ Fanless Design
- ▶ Anti-Glare Cover Glass
- ▶ DC 9~36V Wide Range Power Input
- ▶ IP65 / 66 Front Panel
- ▶ 3-Pin Power Input Terminal Block
- ▶ Optional 1000 nits LED Backlight

System

Processor	Intel® Celeron® J6412 Processor
System Memory	1 x DDR4 3200 SO-DIMM, up to 32GB
External I/O Port	1 x Display Port 1.4a 1 x HDMI 2.0b 4 x USB 3.0 2 x RJ45 (LAN1: Intel I225-V \ LAN2 : Intel I211/I210AT) 1 x RS-232/422/485 (COM1) 3 x RS-232(COM2,3,4) 1 x Line-Out & 1 x Mic-In 1 x Power press button 1 x 3-Pin Power Input
Storage	1 x 2.5" HDD/SSD Storage Tray 1 x M.2 Key M, 2280 with SATA/PCIe x2 signal for SSD
Operating System	Windows 10 IoT Enterprise LTSC Linux (by Request)
Expansion	1 x M.2 (Key B, 3042/3052) with PCIe1/USB 3.2 and USB 2.0 and SIM 1 x M.2 (Key E, 2230) with PCIe x1 and USB 2.0 for Wireless

LCD

Display Type	15.6" TFT LCD
Max. Resolution	1920*1080
Contrast Ratio	800:1
Max. Color	16.2M
Luminance	450 nits
View Angle	85/85/85/85

Power Requirement

Power Input	DC 9~36V Wide Range Power Input
-------------	---------------------------------

Touch Screen

Type	Projected Capacitive by USB
------	-----------------------------

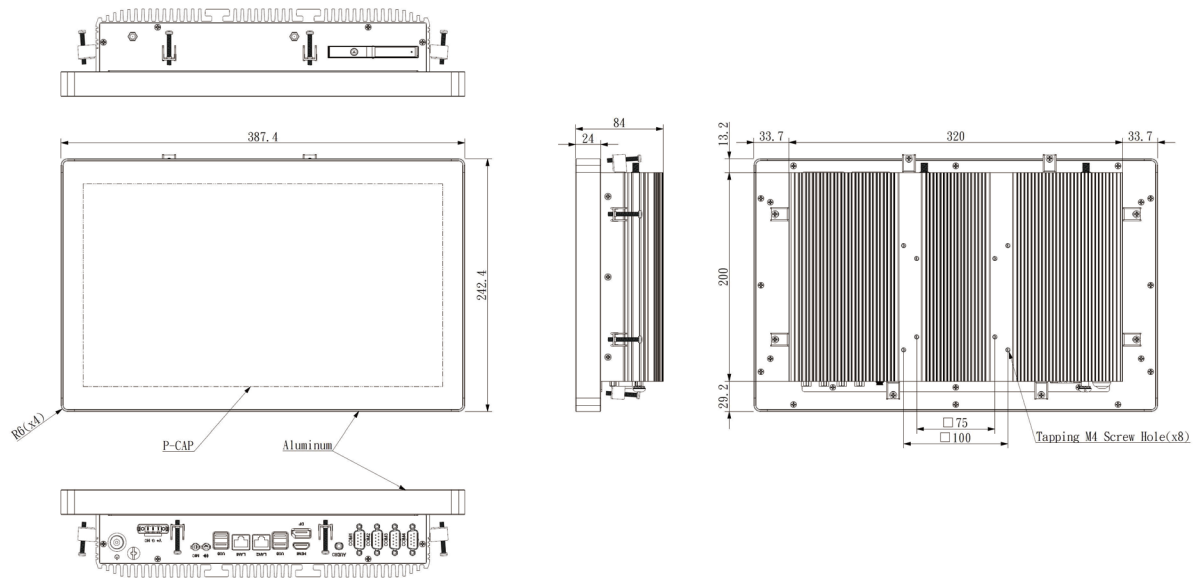
Environment

Operating Temp	-40~70 °C , IEC-60068-2-1/2/14
Storage Temp	-40~70 °C
Humidity	10~90% @40 °C, non-condensing
EMC	FCC / CE Class A Certification CE Class B Compliant
Vibration	1.5 Grms @10~500Hz, IEC-60068-2-64
Certification	FCC/CE ClassA

Mechanical

Mounting	VESA Mount 75 x 75 / 100 x 100 M4 Screw Hole
Dimension	387.4 x 242.4 x 84mm

Dimension & I/O Connector



Ordering Information

LPC-P156WAG-2AE	15.6" (1920*1080) Bezel-Free P-cap Panel PC, Intel® Elkhart Lake SoC J6412 Processor, AG, IP65 Aluminum Front Bezel, Removable 2.5" HDD Tray, DC 9~36V Wide Power Input
-----------------	---

Ordering Code

LPC-P156W-2AE -H / -OB / -B / -AG / -AR / -V

H = High Brightness 1000 nits LED backlight

OB = Optical Bonding

B = Glass Without Touch

AG = Anti-Glare

AR = Anti-Reflection

V = Vandal Proof Glass (By Project)

* All specifications are subject to change without prior notice.