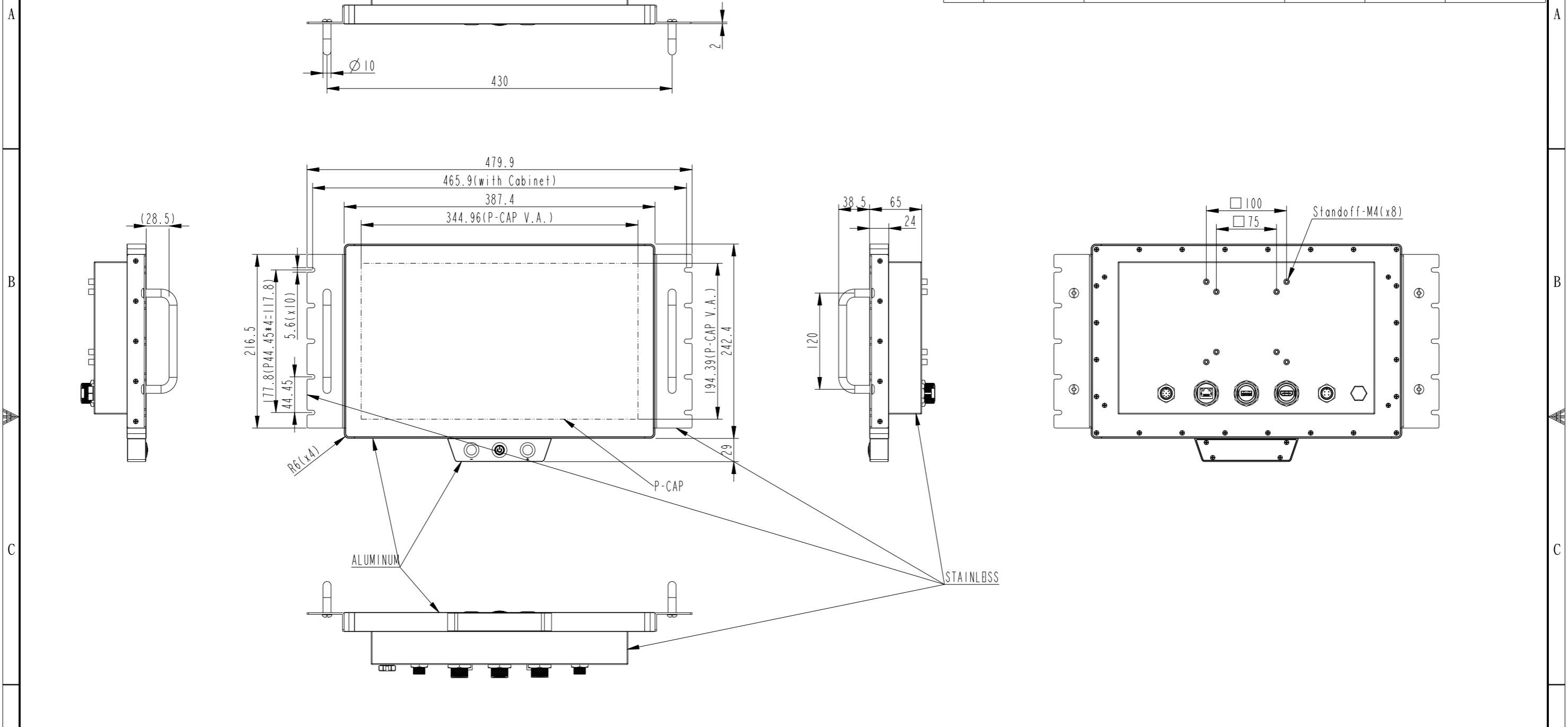


Note : 本零件為綠色環保材料, 禁止使用危害環境之物質

REVISIONS					
RBV.	PART NUMBER	DESCRIPTION	DESIGNER	CHECK	DATE
①					
②					
③					



UNSPECIFIED TOLERANCE								PART NUMBER		OUTLINE DIMENSIONS				
								DESIGNER	CHECK	PART NAME	SCALE	UNIT	SHEET	I OF I
0~8	±0.05	±0.1	±0.1	±0.2	±0.2	±0.4	±0.4	APPROVAL	-		1:5	mm		
8~25	±0.08	±0.15	±0.15	±0.3	±0.3	±0.6	±0.6	MATERIAL	-					
25~250	±0.12	±0.2	±0.25	±0.4	±0.5	±0.8	±1.0	COLOR	-					
250~800	±0.25	±0.3	±0.4	±0.6	±0.8	±1.2	±1.5	FINISH	-					
800>	±0.5	±0.6	±0.8	±1.0	±1.5	±2.0	±3.0	RBV.	01	SIZE	A3			