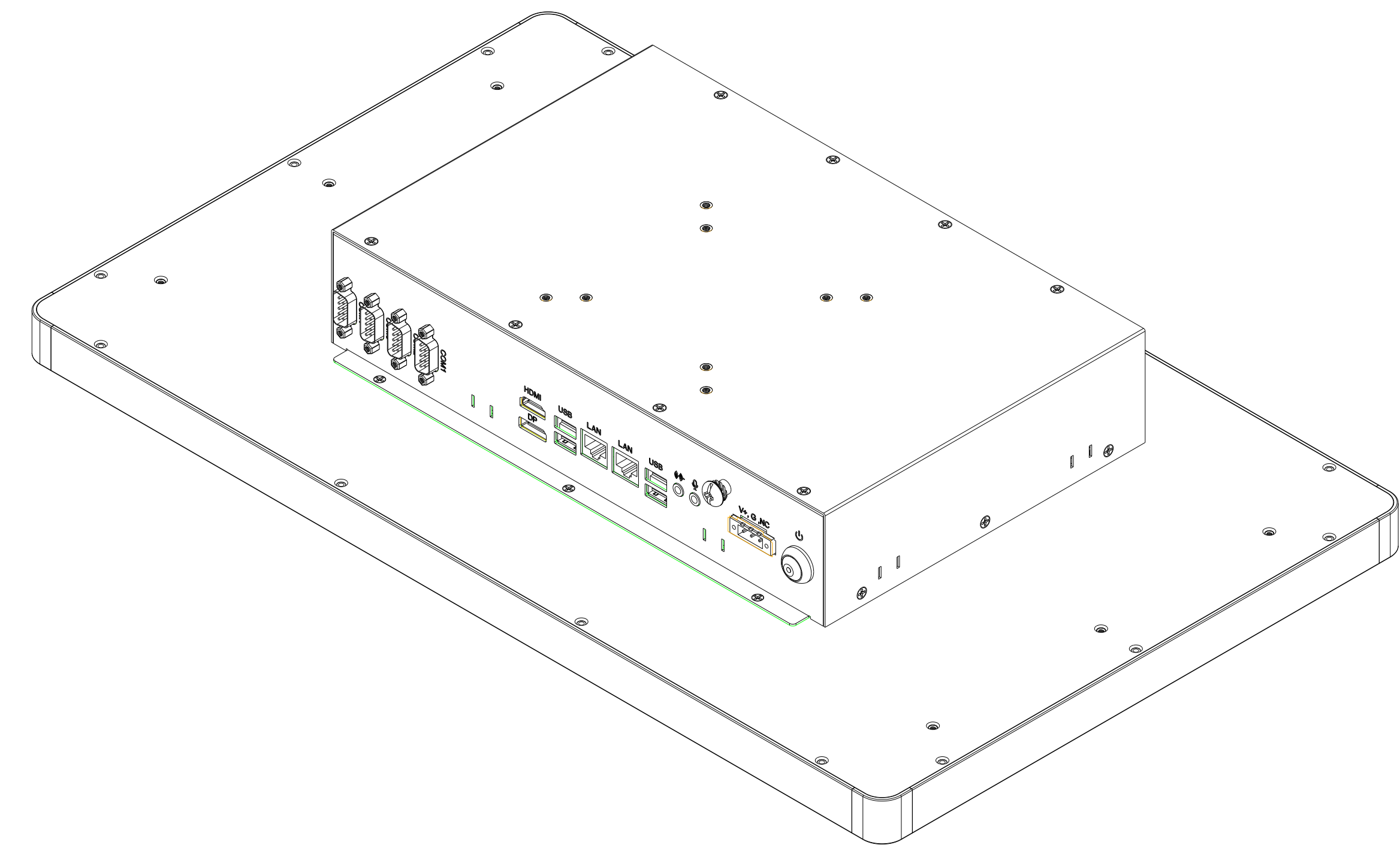
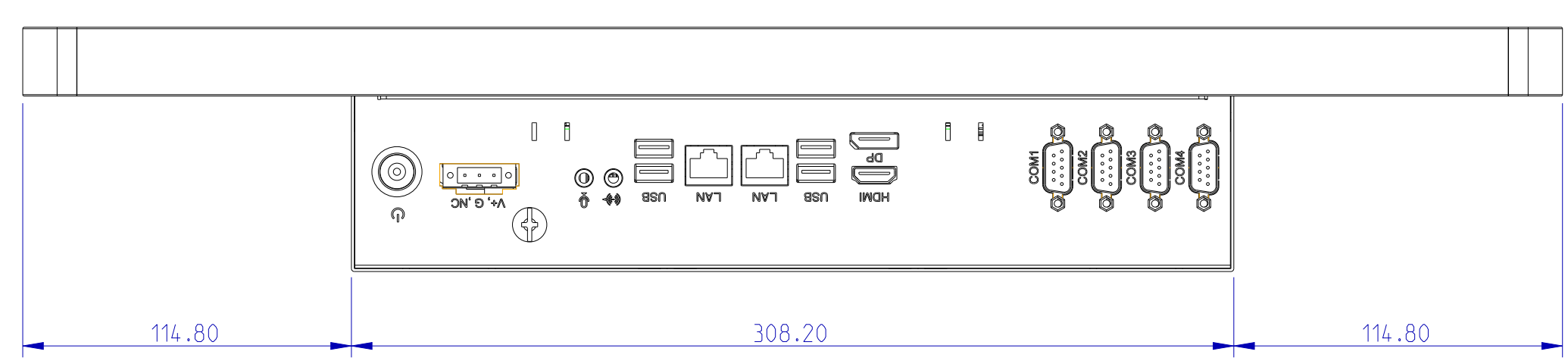
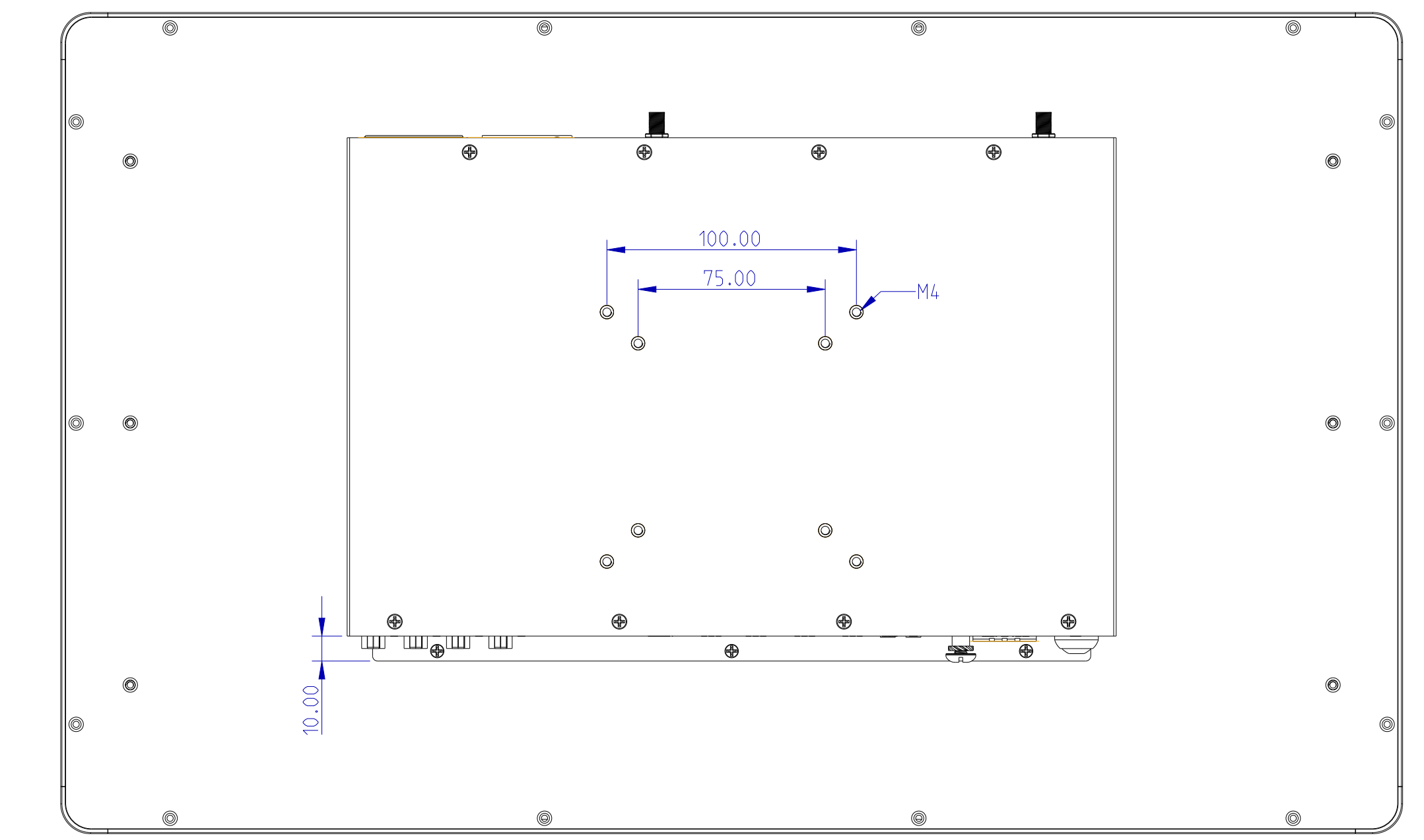
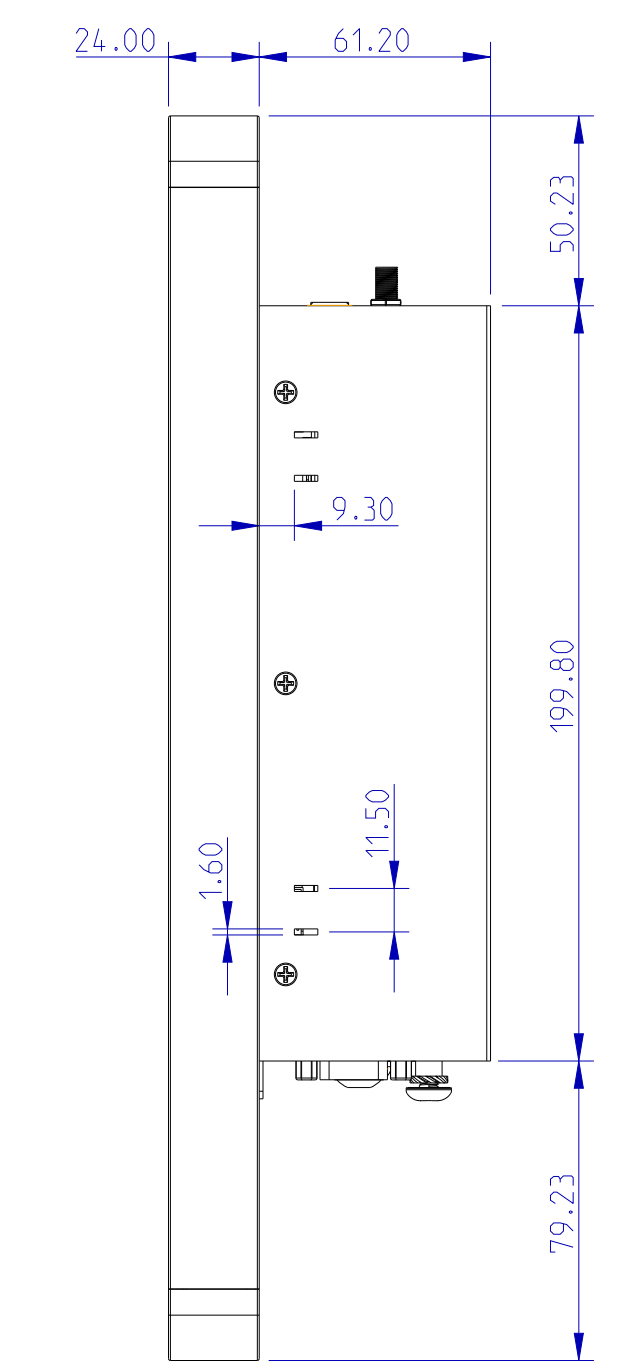
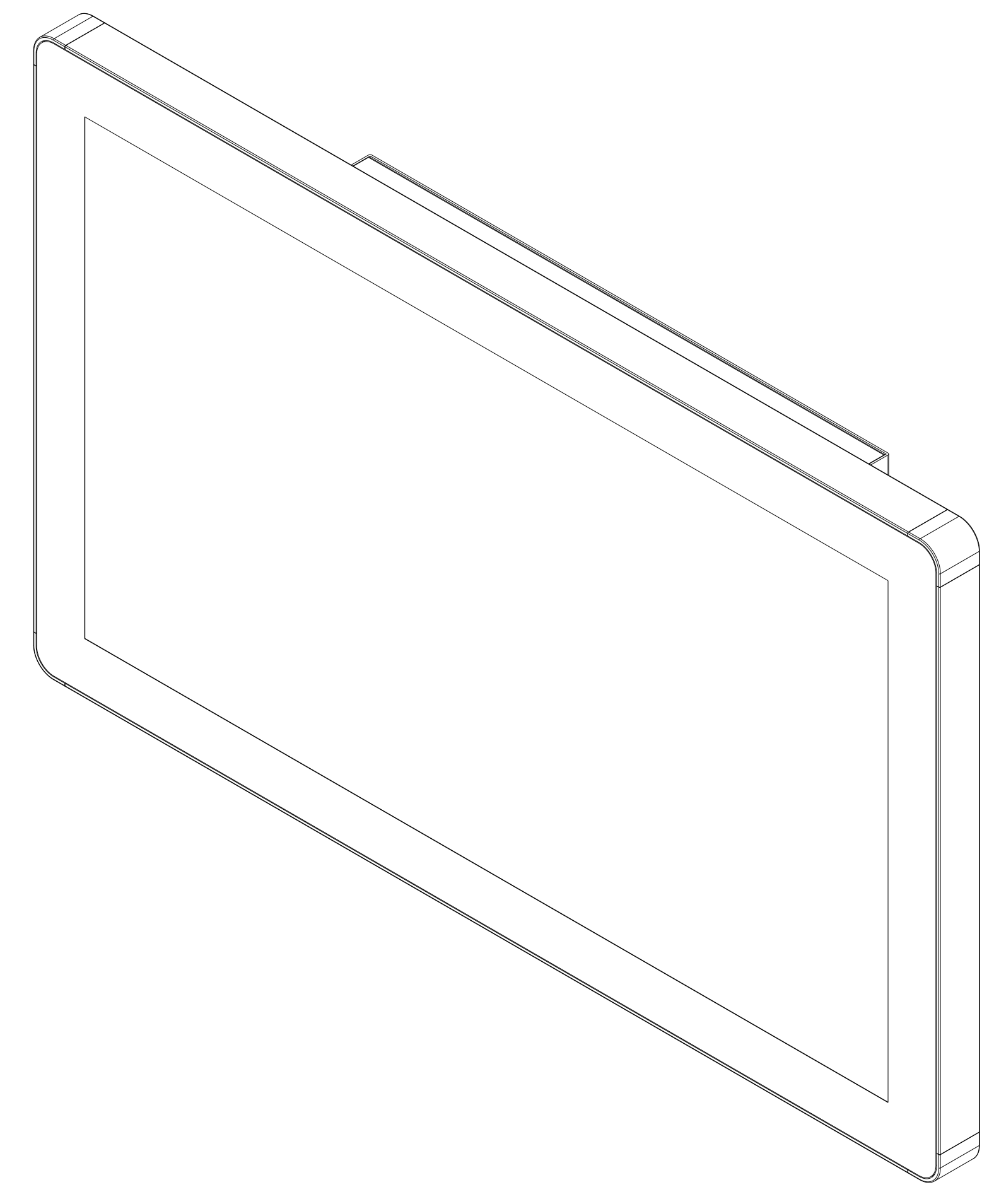
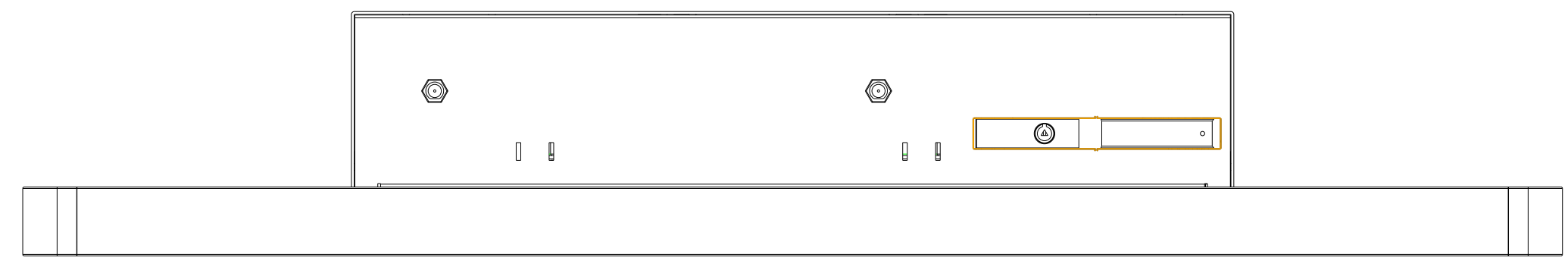


TOLERANCE	UNLESS OTHERWISE SPEC.		
	Metal	Plastic	PCB
0--20	±0.10	±0.10	±0.10
20--99	±0.15	±0.15	±0.15
100--199	±0.20	±0.25	±0.20
200-----	±0.25	±0.30	±0.25



REV.	DATE	DESCRIPTION	CHANGE BY	APPROVAL BY	REMARK

MATERIAL	RohS COMPLIANT	SCALE	0.500	FINISH	
SIGNATURE	DATE	ORIGIN NAME		SHEET	1 of 1
DRAW	reddy	28-Jan-24		OUTLINE DIMENSION	
CHECK	-----	31-XXX-XX		PRODUCT NAME: LPC-P215W-1E	
APPRO	-----	31-XXX-XX		PART NO.	
ELGENS CO., LTD www.elgens.com.br				PERSPECTIVE	