

LPC-P215W-LM2AxMH

21.5" Stainless Steel 12th Gen P-cap Panel PC, Fanless Heatsink, 6 Sides IP65, HDMI/RJ45/COM Port/USB & DC 12~24V Power Input by Metal Waterproof Connector at Bottom Side, and Power Adapter



Features

- ▶ Intel® 12th Gen., Core™ i3/i5/i7 Processors by LGA1700
- ▶ 21.5" P-cap Flat Bezel
- ▶ 1920*1080 FHD Resolution LCD
- ▶ Stainless Steel 316 Case
- ▶ HDMI (Metal Waterproof Connector)
- ▶ Power input (Metal Waterproof Connector)
- ▶ USB (Metal Waterproof Connector)
- ▶ Waterproof Power Button
- ▶ Metal Connectors at Bottom Side
- ▶ Optional Anti-Glare Touch
- ▶ Optional 9~36VDC Wide Range Power Input
- ▶ Optional 90~264VAC Power Input



System

CPU	Intel® 12th Gen., Core i7-12700TE / i5-12500TE/ i3-12100TE, 35W
System Memory	2 x DDR4 SO-DIMM, up to 64GB
External I/O Port	1 x GIGA LAN External Waterproof cables by 1.5 meters (the end side is male RJ45) 1 x USB 2.0 External Waterproof cables by 1.5 meters (the end side is female USB 2.0) 1 x Power External Waterproof cables by 1.5 meters (the end side is 2 wire : ground & +) 1 x COM (1 x RS-232/422/485) External Waterproof cables by 1.5 meters 1 x HDMI (w/o Audio) External Waterproof cables by 1.5 meters
Storage	1 x 2.5" Storage Bay 1 x M.2 M-key(NVME) 2280 Socket
Operating System	Windows 10 IoT Enterprise 2021 LTSC (64-bit, 21H2) Windows 11 IoT Enterprise (64-bit, 21H2, Pre-scan)
Expansion	1 x M.2 (Key E, 2230) with PCIe x1, USB 2.0 and CNVi for Wireless 1 x M.2 (Key B, 3042/3052) with PCIe x1, USB 3.2 Gen1, USB 2.0 and SIM for 4G/5G

LCD

Display Type	21.5" TFT LCD
Max. Resolution	1920*1080
Contrast Ratio	1000 : 1
Max. Color	16.7M
Luminance	350
View Angle	89/89/89/89

Environment

Operating Temp	-20~60 °C · IEC-60068-2-1/2/14
Storage Temp	-30~70°C
Humidity	10~90% @40 °C, non-condensing
EMC	FCC/CE ClassA
Vibration	1.5 Grms @10~500Hz, IEC-60068-2-64

Power Requirement

Power Input	DC 12~24V Wide Range Power Input
-------------	----------------------------------

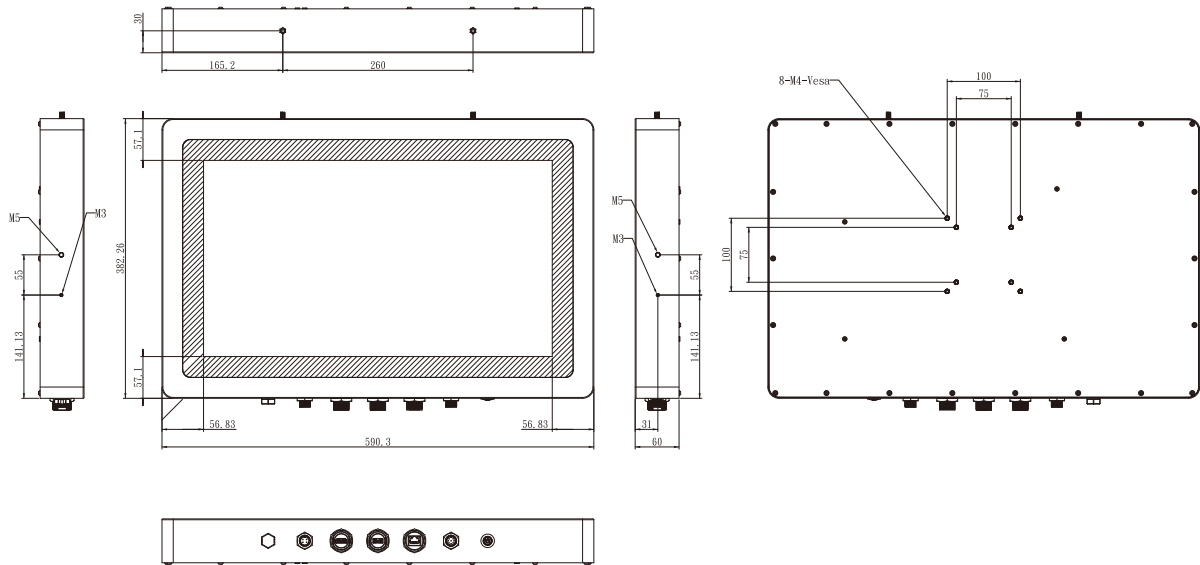
Touch Screen

Type	21.5" P-cap USB interface
------	---------------------------

Mechanical

Construction	Stainless Steel case
Mounting	VESA Mount 75 x 75 / 100 x 100, M4 Screw Hole Optional Yoke/Desk Mount
Dimension	588.8 x 382 x 60.0mm without Heatsink & Yoke Mount kit 588.8 x 382 x 79.52mm with Heatsink, without Yoke Mount kit

Dimension & I/O Connector



Ordering Information

LPC-P215W-LM2A3MH	21.5" Stainless Steel 12th Gen., i3-12100TE P-cap Panel PC, Fanless Heatsink, 6 Sides IP65, HDMI/RJ45/COM Port/USB & DC 12~24V Power Input by Metal Waterproof Connector at Bottom Side, and Power Adapter
LPC-P215W-LM2A5MH	21.5" Stainless Steel 12th Gen., i5-12500TE P-cap Panel PC, Fanless Heatsink, 6 Sides IP65, HDMI/RJ45/COM Port/USB & DC 12~24V Power Input by Metal Waterproof Connector at Bottom Side, and Power Adapter
LPC-P215W-LM2A7MH	21.5" Stainless Steel 12th Gen., i7-12700TE P-cap Panel PC, Fanless Heatsink, 6 Sides IP65, HDMI/RJ45/COM Port/USB & DC 12~24V Power Input by Metal Waterproof Connector at Bottom Side, and Power Adapter

Ordering Code

LPC-P215W-LM2AxMH | -H / -OB / -B / -AG / -AR / -V

H = High Brightness 1000 nits LED backlight

OB = Optical Bonding

B = Glass Without Touch

AG = Anti-Glare

AR = Anti-Reflection

V = Vandal Proof Glass (By Project)