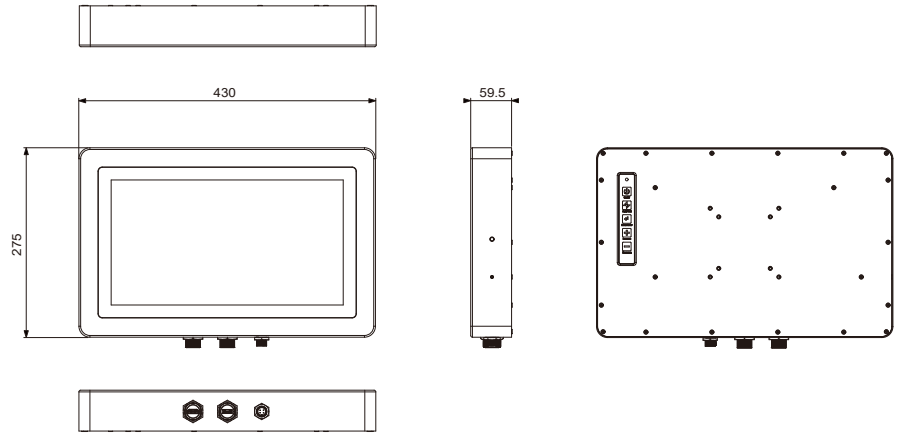


TDM-P156WAG-LM

15.6" (1920*1080) Stainless Steel P-cap Monitor, AG, 6 sides IP66 Waterproof, HDMI/USB/Power by Metal Water-Proof Connectors, DC 12V Power Input, and VESA/Yoke Mounting



Dimension & I/O Connector



Features

- ▶ 15.6" LCD with 1920*1080 resolution
- ▶ HDMI/USB/Power by Metal Water-Proof Connectors
- ▶ DC 12V Power Input
- ▶ Circular Metal Waterproof Connectors on Bottom Side
- ▶ Stainless Steel 316 Food Grade
- ▶ York / Desk / Vesa Mounting
- ▶ Optional DC 9~36V Wide Range Power Input
- ▶ Optional Picture-in-Picture function by RS485 Remote control
- ▶ Optional 1024 Level Dimming
- ▶ Optional 2nd HDMI for PIP

Specification	
Max. Resolution	1920*1080
Contrast Ratio	800 : 1
Max. Color	16.7 M
Luminance (cd/m2)	450 nits
View Angle	85/85/85/85
Touch Screen	15.6" P-cap USB interface
Power Input	DC 12V Power Input
Mounting	VESA Mount 75 x 75 / 100 x 100 Yoke Mount
Operating Temp	-20 ~ 60 °C
External Cable Length	1 x USB 2.0 External Waterproof cables by 1.5 meters(the end side is female USB 2.0) 1 x Power External Waterproof cables by 1.5 meters(the end side is 2 wire : ground & +) 1 x HDMI (w/o Audio) External Waterproof cables by 1.5 meters (the end side is HDMI Male Type A)

Ordering Information	
TDM-P156WAG-LM	15.6" (1920*1080) Stainless Steel P-cap Monitor, AG, 6 sides IP66 Waterproof, HDMI/USB/Power by Metal Water-Proof Connectors, DC 12V Power Input, and VESA/Yoke Mounting
TDM-P156WAG-LM9	15.6" (1920*1080) Stainless Steel P-cap Monitor, AG, 6 sides IP66 Waterproof, HDMI/USB/Power by Metal Water-Proof Connectors, DC 9~36V Power Input, and VESA/Yoke Mounting

Ordering Code	
	-H / -OB / -G / -AG / -AR / -V / -M / -P / -R
H	High Brightness 1000 nits LED backlight
OB	Optical Bonding
B	Glass Without touch
AG	Anti-Glare
AR	Anti-Reflection
V	Vandal Proof Glass (By Project)
M	M12 Metal Connector
P	M12 Plastic Connector
R	Rackmount with Handles

