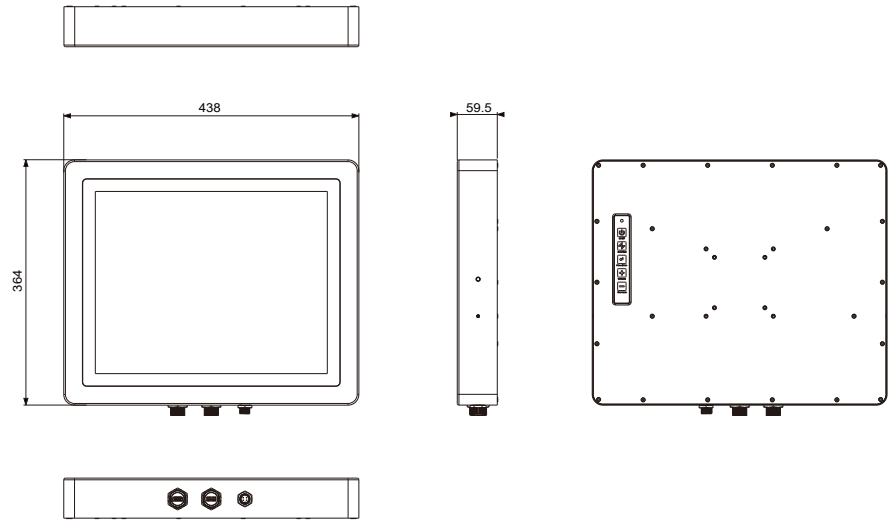


TDM-P170SAG-LM

17" (1280*1024) Stainless Steel P-cap Monitor, AG, 6 sides IP66 Waterproof, HDMI/USB/Power by Metal Water-Proof Connectors, DC 12V Power Input, and VESA/Yoke Mounting



Dimension & I/O Connector



Features

- ▶ 17" LCD with 1280*1024 resolution
- ▶ HDMI/USB/Power by Metal Water-Proof Connectors
- ▶ DC 12V Power Input
- ▶ Circular Metal Waterproof Connectors on Bottom Side
- ▶ Stainless Steel 316 Food Grade
- ▶ York / Desk / Vesa Mounting
- ▶ Optional DC 9~36V Wide Range Power Input
- ▶ Optional Picture-in-Picture function by RS485 Remote control
- ▶ Optional 1024 Level Dimming
- ▶ Optional 2nd HDMI for PIP

Specification	
Max. Resolution	1280*1024
Contrast Ratio	800 : 1
Max. Color	16.7 M
Luminance (cd/m ²)	350 nits
View Angle	85/85/80/80
Touch Screen	17" P-cap USB interface
Power Input	DC 12V Power Input
Mounting	VESA Mount 75 x 75 / 100 x 100 Yoke Mount
Operating Temp	-20 ~ 60 °C
External Cable Length	1 x USB 2.0 External Waterproof cables by 1.5 meters (the end side is female USB 2.0) 1 x Power External Waterproof cables by 1.5 meters (the end side is 2 wire : ground & +) 1 x HDMI (w/o Audio) External Waterproof cables by 1.5 meters (the end side is HDMI Male Type A)

Ordering Information	
TDM-P170SAG-LM	17" (1280*1024) Stainless Steel P-cap Monitor, AG, 6 sides IP66 Waterproof, HDMI/USB/Power by Metal Water-Proof Connectors, DC 12V Power Input, and VESA/Yoke Mounting
TDM-P170SAG-LM9	17" (1280*1024) Stainless Steel P-cap Monitor, AG, 6 sides IP66 Waterproof, HDMI/USB/Power by Metal Water-Proof Connectors, DC 9~36V Power Input, and VESA/Yoke Mounting

Ordering Code	
TDM-P170SAG-LM	-H / -OB / -G / -AG / -AR / -V / -M / -P / -R
H = High Brightness 1000 nits LED backlight	
OB = Optical Bonding	
B = Glass Without touch	
AG = Anti-Glare	
AR = Anti-Reflection	
V = Vandal Proof Glass (By Project)	
M= M12 Metal Connector	
P= M12 Plastic Connector	
R= Rackmount with Handles	

