

LPC-P215WAG-LMTx

21.5" (1920*1080) Bezel-Free P-cap Panel PC, Intel® Tigerlake-UP3 Core™ i3/i5 Processors, 6 Sides IP65, AG, HDMI/RJ45/COM Port/USB & DC 12~24V Power Input by Metal Waterproof Connector at Bottom Side, and Power Adapter



Features

- ▶ Intel® Tigerlake-UP3 Core™ i3/i5 Processors
- ▶ 21.5" P-cap Flat Bezel
- ▶ 1920*1080 FHD Resolution LCD
- ▶ Stainless Steel 316 Case
- ▶ HDMI (Metal Waterproof Connector)
- ▶ Power input (Metal Waterproof Connector)
- ▶ USB (Metal Waterproof Connector)
- ▶ Waterproof Power Button
- ▶ Metal Connector at Bottom Side
- ▶ Optional 9~36VDC Wide Range Power Input
- ▶ Optional 90~264VAC Power Input

System

CPU	Intel® TigerLake-UP3 Core™ i3/i5 Processors
System Memory	2 x DDR4 SO-DIMM, up to 64GB
External I/O Port	1 x GIGA LAN External Waterproof cables by 1.5 meters (the end side is male RJ45) 1 x USB 2.0 External Waterproof cables by 1.5 meters (the end side is female USB 2.0) 1 x Power External Waterproof cables by 1.5 meters (the end side is 2 wire : ground & +) 1 x COM (1 x RS-232/422/485) External Waterproof cables by 1.5 meters 1 x HDMI (w/o Audio) External Waterproof cables by 1.5 meters
Storage	1 x 2.5" Storage Bay 1 x M.2 M-key(NVME) 2280 Socket
Operating System	Windows 10 IoT Enterprise 2021 LTSC (64-bit, 21H2) Windows 11 IoT Enterprise (64-bit, 21H2, Pre-scan) Linux Ubuntu 22.04 (64-bit, by request) Linux Yocto Project 3.1 (64-bit, by request)
Expansion	1 x M.2 B-key 2242/3042 (SATA 3.0, PCIe x1, USB 2.0) 1 x M.2 E-key 2230 (PCIe x1, USB 2.0)

LCD

Display Type	21.5" TFT LCD
Max. Resolution	1920*1080
Contrast Ratio	1000 : 1
Max. Color	16.7M
Luminance	350
View Angle	89/89/89/89

Power Requirement

Power Input	DC 12~24V Wide Range Power Input
-------------	----------------------------------

Touch Screen

Type	21.5" P-cap USB interface
------	---------------------------

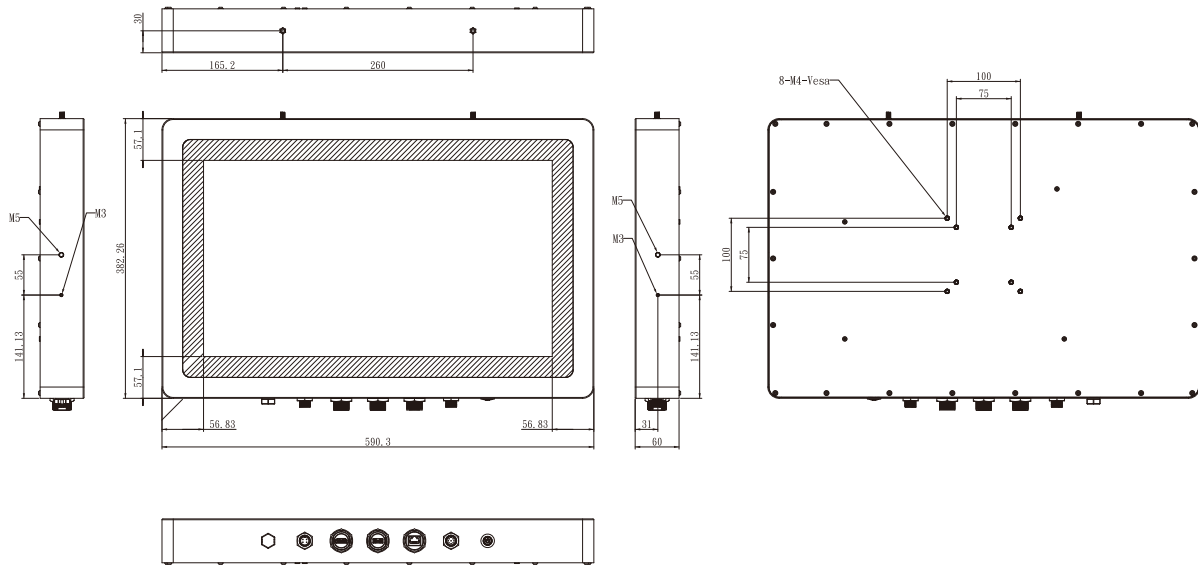
Environment

Operating Temp	-20~60 °C · IEC-60068-2-1/2/14
Storage Temp	-30~70°C
Humidity	10~90% @40 °C, non-condensing
EMC	FCC/CE ClassA
Vibration	1.5 Grms @10~500Hz, IEC-60068-2-64

Mechanical

Construction	Stainless Steel case
Mounting	VESA Mount 75 x 75 / 100 x 100, M4 Screw Hole Optional Yoke/Desk Mount
Dimension	586.96 x 379.36 x 60.0 mm

Dimension & I/O Connector



Ordering Information

LPC-P215WAG-LMT3	21.5" (1920*1080) Bezel-Free P-cap Panel PC, Intel® Tigerlake-UP3 Core™ i3-1115G4E, 6 Sides IP65, AG, HDMI/RJ45/COM Port/USB & DC 12~24V Power Input by Metal Waterproof Connector at Bottom Side, and Power Adapter
LPC-P215WAG-LMT5	21.5" (1920*1080) Bezel-Free P-cap Panel PC, Intel® Tigerlake-UP3 Core™ i5-1145G7E, 6 Sides IP65, AG, HDMI/RJ45/COM Port/USB & DC 12~24V Power Input by Metal Waterproof Connector at Bottom Side, and Power Adapter

Ordering Code

LPC-P215WAG-LMTx | -H / -OB / -B / -AG / -AR / -V

H = High Brightness 1000 nits LED backlight

OB = Optical Bonding

B = Glass Without Touch

AG = Anti-Glare

AR = Anti-Reflection

V = Vandal Proof Glass (By Project)